

# Two piece air service unit FROY

## Technical details

<b>Temperature range</b>	-10°C ... +50°C
<b>Input range</b>	1.5 ... 16 bar ( size Y0 max. 12 bar )
<b>Mounting</b>	vertically, drain at bottom
<b>Medium</b>	compressed air according to ISO 8573-1:2010, neutral gases
<b>Materials</b>	Body: Grivory (PA66) and POM, bowl: PC, seals: NBR, inner parts: zinc coated steel, stainless steel and brass

Combination of filter, regulator and lubricator.  
Locking: rotary lock and padlock possible.



## Order code

FROY-***-**-5-***1	
Series	Versions
<b>Connection / Size</b> 04 * G1/4 / Y0 14 G1/4 / Y1 37 G3/8 / Y1 38 G3/8 / Y2 12 G1/2 / Y2 34 G3/4 / Y3 10 G1 / Y3	<b>Digit 1 Bowl</b> 1 PC with PA-guard 3 metal bowl with sight glass
<b>Output range</b> 04 0.2 ... 4 bar 08 0.5 ... 8 bar 10 <b>0.5 ... 10 bar (standard)</b>	<b>Digit 2 Drain</b> 2 <b>semi-automatic (standard)</b> 3 automatic, NO (open at 0 bar input pressure) 4 automatic, NC (closed at 0 bar input pressure)
<b>Filter element</b> 5 5 µm	<b>Digit 3 Gauge, flow direction</b> 0 without gauge, flow from left to right 1 without gauge, flow from right to left 2 <b>with gauge, flow from left to right (standard)</b> 3 with gauge, flow from right to left

\* FROY-04 only with integrated gauge and flow from left to right available.

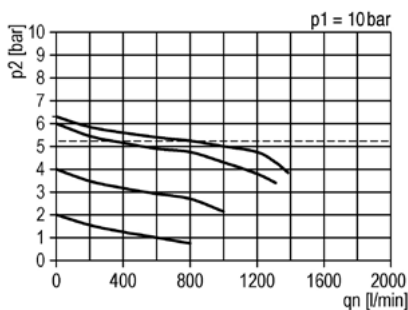
# Two piece air service unit FROY

## Technical data

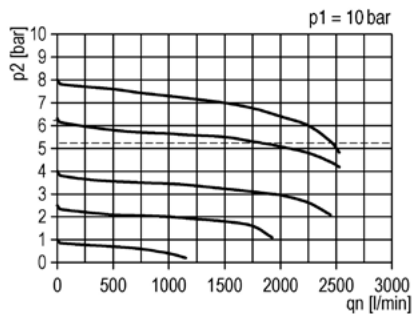
Model-no.:	FROY-04-...	FROY-14-...	FROY-37-...	FROY-38-...	FROY-12-...	FROY-34-...	FROY-10-...
Connection	G1/4	G1/4	G3/8	G3/8	G1/2	G3/4	G1
Size	Y0	Y1	Y1	Y2	Y2	Y3	Y3
Flow (NI/min)	600	1800	1800	3500	3500	12000	12000
Lubricator operating limit (NI/min)	30	100	100	70	70	115	115
Internal air consumption	-	-	-	-	-	max. 1.5 l/min	max. 1.5 l/min
Bowl volume (cm <sup>3</sup> )	16	28	28	49	49	87	87
Bowl volume lubricator (cm <sup>3</sup> )	35	40	40	80	80	181	181
Weight (kg)	0.39	0.67	0.65	1.09	1.06	2.27	2.13

## Flow characteristic

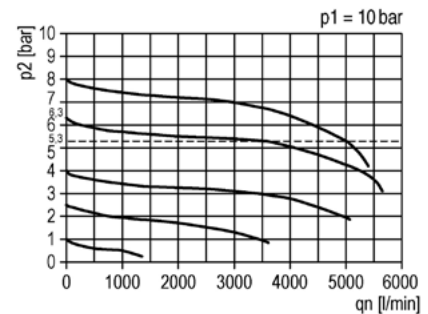
FROY-04



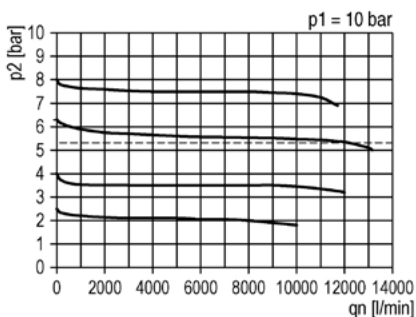
FROY-14, FROY-37



FROY-38, FROY-12



FROY-34, FROY-10

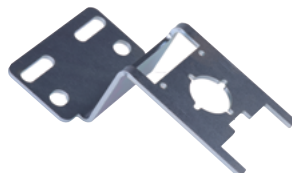


## Accessories

Mounting brackets WYL



Mounting brackets WYP



Coupling kits for wall mounting KPY-W



Coupling kits KPY-K



Mounting nut RMY

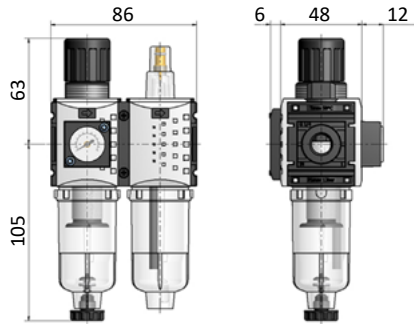


Details: see page 04

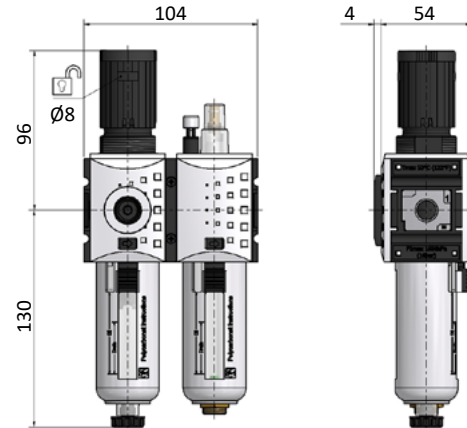
# Two piece air service unit FROY

## Dimensions

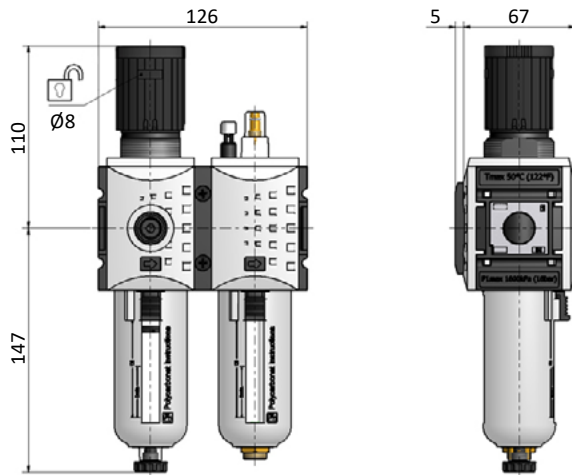
### Size Y0



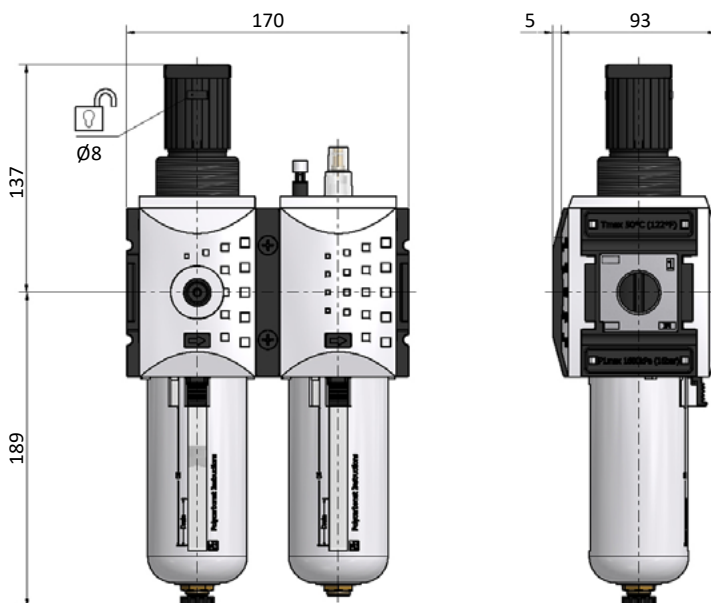
### Size Y1



### Size Y2



### Size Y3



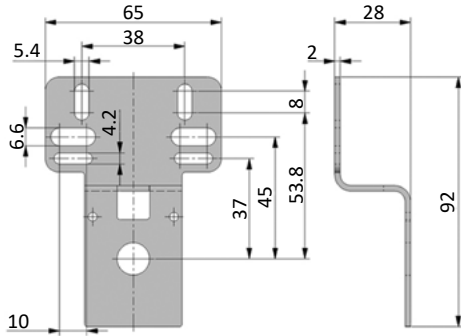
# Fastening elements

## Bracket kit WYP

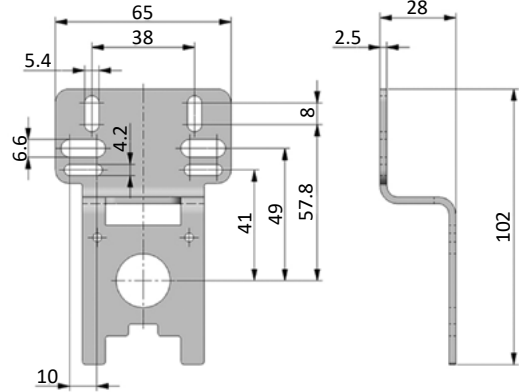
Bracket kit made of zinc coated steel.

The bracket can be mounted at the rear side after removing the rear cover of the unit. The 2 mounting screws are included.

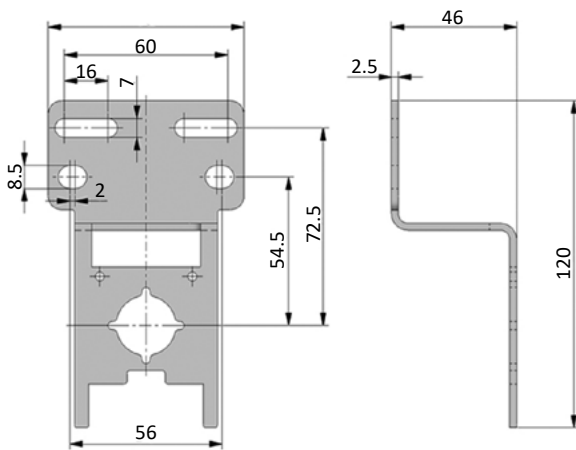
### WYP-00



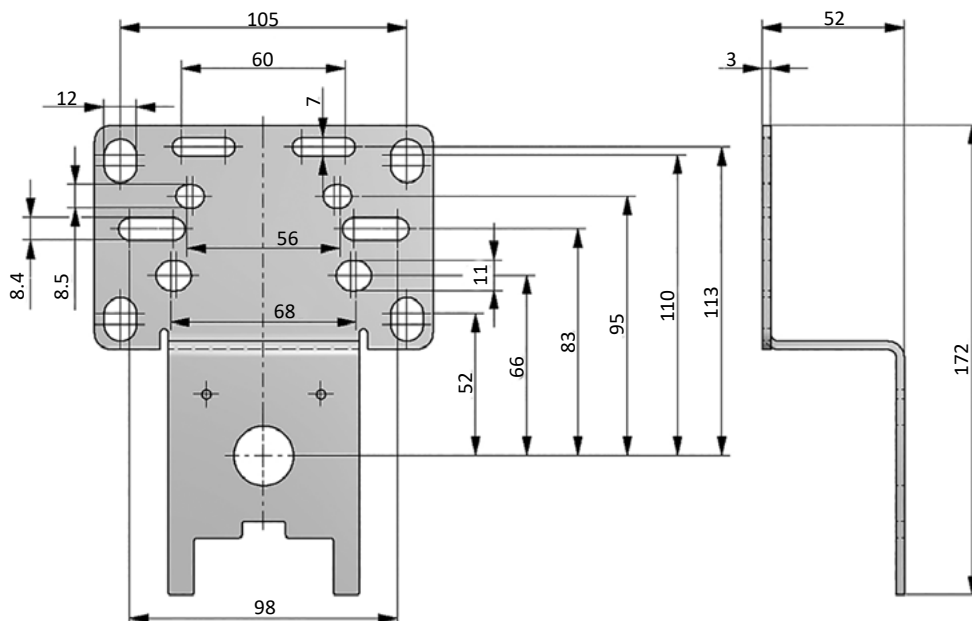
### WYP-01



### WYP-02

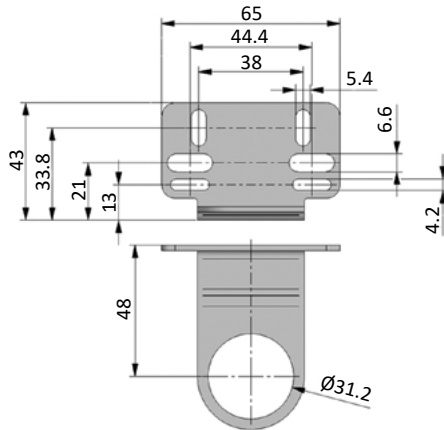
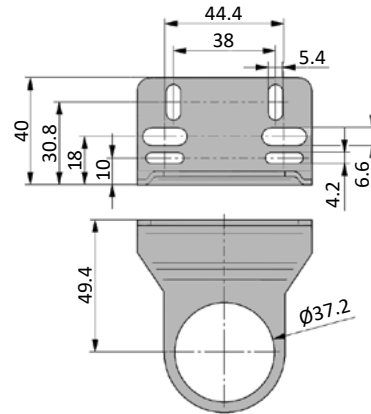
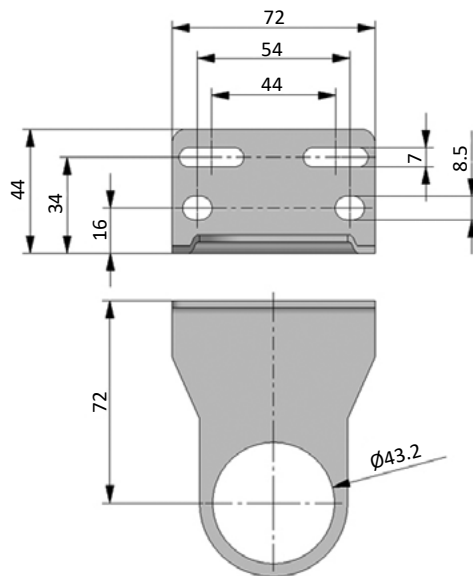


### WYP-03



**Mounting brackets WYL**

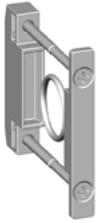
Mounting brackets made of zinc coated steel. Assembling with mounting nut (not included).

**WYL-00**

**WYL-01**

**WYL-02**


# Coupling kits

## Coupling kits KPY-K

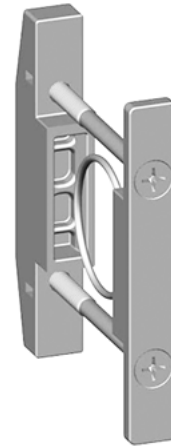
KPY-00-K, KPY-01-K



KPY-02-K

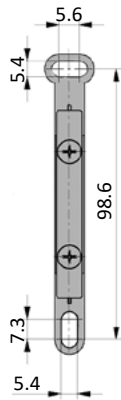
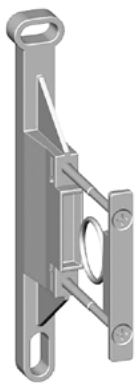


KPY-03-K

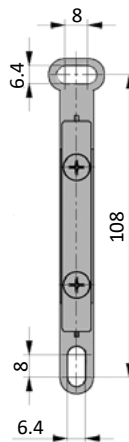
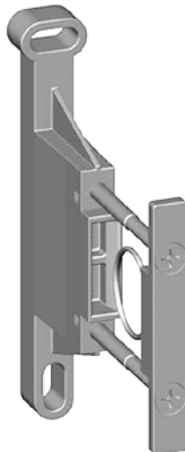


## Coupling kits for wall mounting KPY-W

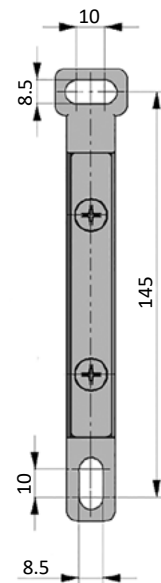
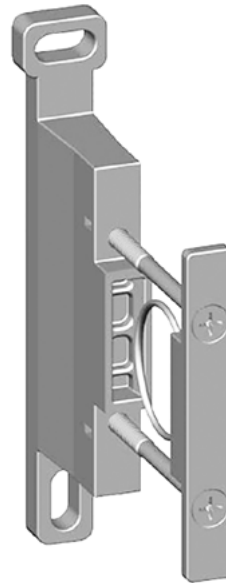
KPY-00-W, KPY-01-W



KPY-02-W



KPY-03-W



## Technical details

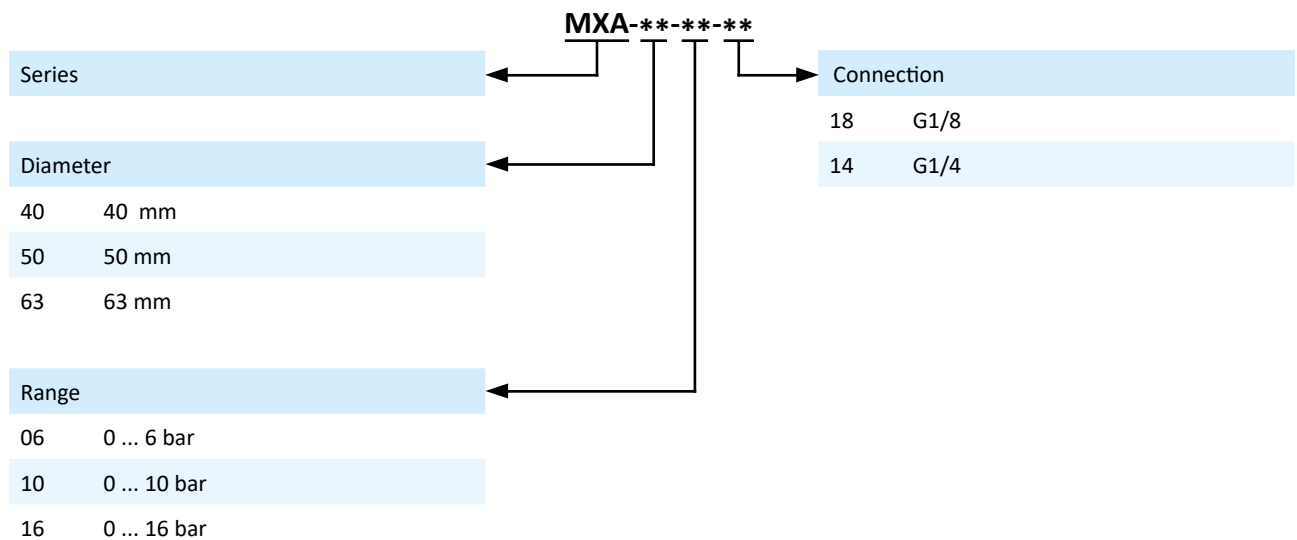
<b>Temperature range</b>	-20°C ... +60°C
<b>Accuracy class</b>	2.5 according to EN 837-1
<b>Application</b>	Constant load: 3/4 x scale value Alternating load: 2/3 x scale value
<b>Materials</b>	Body: ABS, black Window: plastic, clear, clipped-on Dial: plastic, white with stop pin Scale black (bar) and blue (psi)
<b>Temperature drift</b>	± 0.4% / 10 K if deviation from normal temperature (+ 20°C)



Bourdon tube pressure gauge (EN 837-1), pressure connection rear.



## Order code



## Technical data

Model-no.:	MXA-50-06-14		MXA-50-10-14		MXA-50-16-14	
<b>Connection</b>	G1/4		G1/4		G1/4	
<b>Standard for series</b>	-		-		X1. X2. Y1. Y2	
<b>Range</b>	0 ... 6 bar		0 ... 10 bar		0 ... 16 bar	
<b>Weight (kg)</b>	0.071		0.071		0.071	

Model-no.:	MXA-40-06-18	MXA-40-10-18	MXA-40-16-18	MXA-63-06-14	MXA-63-10-14	MXA-63-16-14
<b>Connection</b>	G1/8	G1/8	G1/8	G1/4	G1/4	G1/4
<b>Standard for series</b>	-	-	K. RD	-	-	Y3
<b>Range</b>	0 ... 6 bar	0 ... 10 bar	0 ... 16 bar	0 ... 6 bar	0 ... 10 bar	0 ... 16 bar
<b>Weight (kg)</b>	0.071	0.071	0.071	0.080	0.080	0.080