



Drying | EVERDRY® COMBITROC CT

Efficient combination: the Heat Regenerating Adsorption Dryer EVERDRY® COMBITROC CT

The EVERDRY® COMBITROC CT series provides the optimum processing combination of refrigeration and adsorption dryer. In principle, an energy-saving pressure dew point of +3 °C can be achieved with the refrigeration dryer. A lower pressure dew point is needed in the colder season to reliably avoid any condensation. The system then automatically activates the heat-regenerated adsorption dryer to generate a safe pressure dew point of below -40 °C. Another advantage of the combination: 100 % back up should one dryer unit fail.

The EVERDRY® COMBITROC CT is ideal for use in almost every climate zone. Desorption takes place in counter-flow to the adsorption direction with heated fan air, cooling is by means of fan-blown air.

Local operating conditions and economical parameters ultimately determine the individual, customer-specific project solutions. Higher volume flow rates can also be achieved at the customer's request.

› Application Oriented Solutions

- › Added value by utilising comprehensive competence
- › Total concept instead of just individual components
- › Informative and user-friendly touch panel control systems
- › Easy to maintain

› Reliable Process Management

- › Safe function monitoring with sensor technology
- › High-quality, high-temperature galvanising
- › Tried and tested, maintenance-friendly components

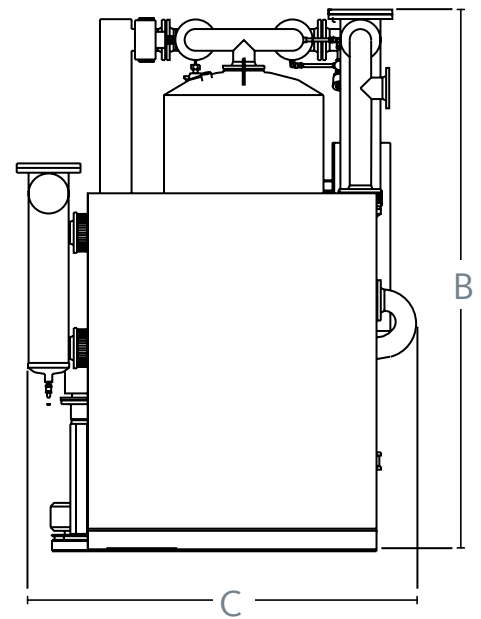
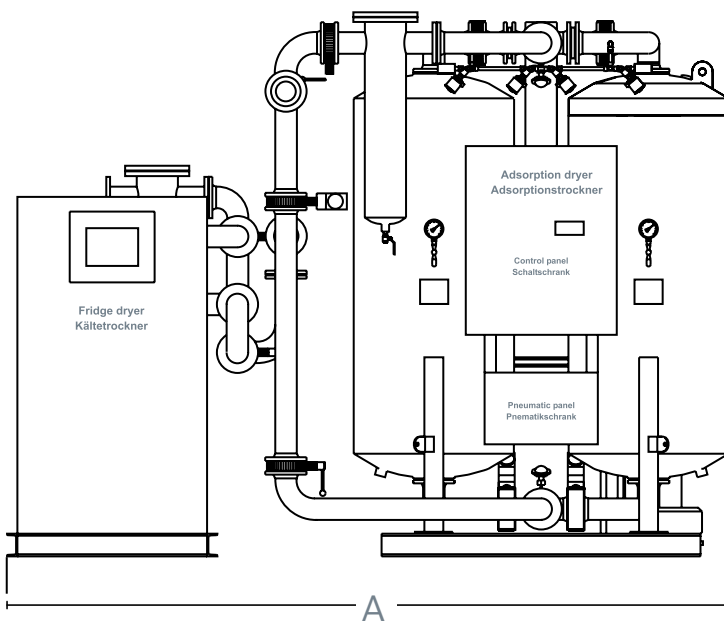
› Energy-optimised Concept

- › Beneficial individual valves
- › Energy-efficient dew point control system
- › Combination dryer

EVERDRY® COMBITROC CT 1100 – CT 6000:

- › Processing unit for adjustable Summer or Winter operation
- › Complete concept including piping, valves, pre-filter and after-filter
- › Adsorption dryer with back up function means: Can be used even when the refrigeration dryer is not available.

ZERO PURGE



EVERDRY®	CT 1100	CT 1400	CT 1700	CT 2000	CT 2300
Volume flow* ¹ (m ³ /h) at 6 bar [g]	1050	1250	1500	1800	2000
Volume flow* ¹ (m ³ /h) at 7 bar [g]	1100	1400	1700	2000	2300
Volume flow* ¹ (m ³ /h) at 8 bar [g]	1240	1575	1900	2200	2520
Connection PN 16 DIN 2633	DN 80	DN 80	DN 80	DN 100	DN 100
Inst. Output (kW) (model 1)* ²	16.8	20.9	28.5	31.5	35.3
Inst. Output (kW) (model 2)* ³	17.1	21.1	28.5	32.3	35.8
Dimensions					
A (mm)	3200	3200	3300	3500	3800
B (mm)	2450	2700	2750	2800	2900
C (mm)	1500	1600	1700	1850	2100
Weight (kg)	2200	2500	2800	3600	3800

*² design model 1: 7 bar [g], inlet temperature 35 °C saturated, coolant max. 25 °C DTP +3 °C

*³ design model 2: 7 bar [g], inlet temperature 40 °C saturated, coolant max. 30 °C DTP +5 °C

Notice: The dimensions quoted are project data.

Options and conditions at the place of installation may require adaptations.

Operating conditions*	
Medium	Compressed air
Volume flow	relative to 20 °C and 1 bar [a]
Operating pressure	7 bar [g]
Inlet temperature Adsorption dryer	35 °C
Inlet humidity	saturated
Pressure dew point	-40 °C

Electrical connection*	
Power supply	3 Ph. 400 V 50 Hz
Protection class	IP 54, acc. to IEC 529 (no explosion protection)
Version	according to VDE / IEC
Permissible voltage deviation	+/-10 %

* Different conditions on request

Limits of use*	
Operating pressure	4 ... 10 bar [g]
Inlet temperature Adsorption dryer	5 ... 43 °C
ambient temperature	5 ... 40 °C
Max. fan intake	35 °C / 40% or 30 °C / 50% rel. hum.

Reference conditions according to DIN / ISO 7183	
Medium	Compressed air
Volume flow rate in m ³ /h relative to	20 °C (1 bar [g])
Operating pressure	7 bar [g]
Compressed air inlet temperature	35 °C
Inlet humidity	saturated

EVERDRY®	CT 2600	CT 2900	CT 3400	CT 4200	CT 5000	CT 6000
Volume flow* ¹ (m ³ /h) at 6 bar [g]	2300	2600	3000	3650	4400	5000
Volume flow* ¹ (m ³ /h) at 7 bar [g]	2600	2900	3400	4200	5000	6000
Volume flow* ¹ (m ³ /h) at 8 bar [g]	2925	3150	3800	4650	5650	6400
Connection PN 16 DIN 2633	DN 100	DN 100	DN 100	DN 150	DN 150	DN 150
Inst. Output (kW) (model 1)* ²	43.3	46.3	53.6	58.9	77.9	89.3
Inst. Output (kW) (model 2)* ³	43.3	47.1	54.4	60.9	80.3	89.8
Dimensions						
A (mm)	4000	4200	4300	5600	5800	6000
B (mm)	2900	2950	3100	3200	3200	3300
C (mm)	2300	2350	2450	2500	2500	2500
Weight (kg)	4000	4300	4800	6200	7200	8200

*¹ Volume flow relative to 20°C and 1 bar [a].

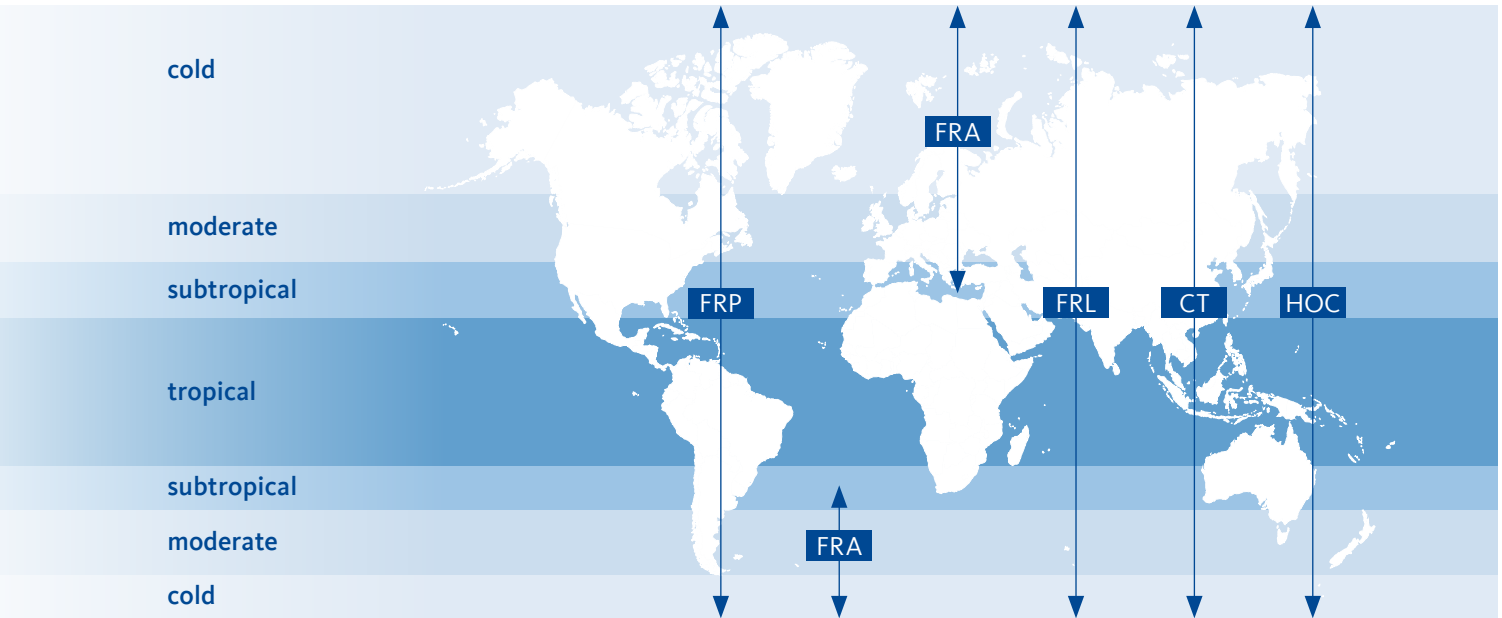
*² design model 1: 7 bar [g], inlet temperature 35 °C saturated, coolant max. 25 °C DTP +3 °C

*³ design model 2: 7 bar [g], inlet temperature 40 °C saturated, coolant max. 30 °C DTP +5 °C

Notice: The dimensions quoted are project data.

Options and conditions at the place of installation may require adaptations.

The Heat Regenerating Adsorption Dryer: At home throughout the world.



Do **you** have questions about the best way of processing your compressed air?

We have the answers! We offer efficient solutions for any type of processing chain. Please contact us with your queries. We would be delighted to tell you more about our condensate

treatment, filtration, drying, measuring and process technology, and our comprehensive services.

Visit us at



BEKO TECHNOLOGIES GMBH
Im Taubental 7 | D-41468 Neuss

Telephone +49 2131 988 - 1000
info@beko-technologies.com
www.beko-technologies.com



Subject to technical changes without prior notice. Errors and omissions excepted.